

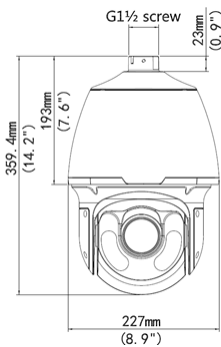
2.0 Megapixel 30X, IR, PTZ, HD Dome Network Camera

Key Features

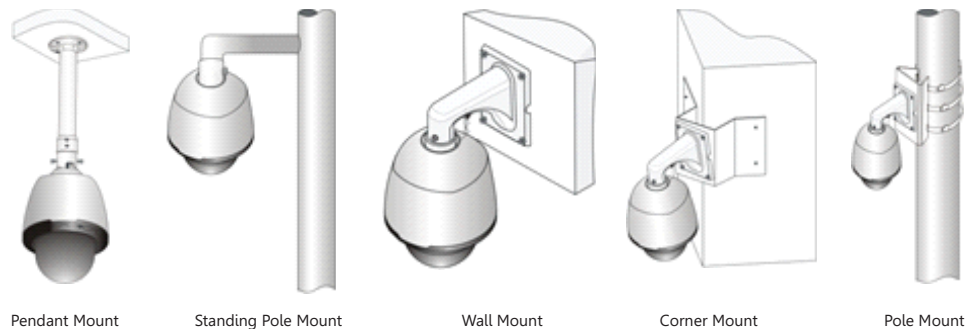
- ❖ 30X Optical Zoom
- ❖ Accurate and Fast Focusing
- ❖ Smart IR, up to 100 m (328 ft) IR distance
- ❖ Optical glass window with higher light transmittance
- ❖ IR anti-reflection window to increase the infrared transmittance
- ❖ H.264 High Profile
- ❖ Triple streams
- ❖ Customized OSD
- ❖ ONVIF Conformance
- ❖ Innovative snow-removing functionality
- ❖ More effective heat dissipation system
- ❖ Intelligent temperature control technology
- ❖ 6 KV surge protection designed for network interface



Dimensions



Installation



Technical Specification

Model	SCL-SDM02MVIR-DP2230X
Product Name	2.0 Megapixel 30X, IR, PTZ, HD Dome Network Camera
Camera	
Sensor	1/2.8", 2.0 Megapixel, Progressive Scan, CMOS
Lens	4.5 ~ 135 mm (30x optical zoom)
Angle of View (H)	62.9° (wide) ~ 2.3° (Tele)
Iris	Auto/Manual; F1.6 ~ F4.8
Shutter	Auto/Manual; Shutter time: 1/6 s ~ 1/8000 s
Minimum Illumination	Colour: 0.03 lux (F1.6, 50IRE) B/W: 0.01 lux (F1.6, 50IRE)
S/N	>52dB
Day/Night	IR-cut filter with auto switch (ICR)

SECURICORP TECHNOLOGIES UK LTD.

Email: marketing@securicorp.com, www.securicorp.com

Securicorp Technologies UK Ltd, All Rights Reserved. This document is for planning purposes only and is not intended to modify or supplement any specifications or warranties relating to product. Securicorp Technologies UK Ltd may make changes to specifications and descriptions without notice.

P : 01 | IP Network Surveillance Cameras | Version 3.0 | Copyrights 2017 Securicorp Technologies UK Ltd. All Rights Reserved

Video	
Max. Resolution	1920 × 1080
Video Compression	H.264,MJPEG
Frame Rate	1080P (1920*1080): Max. 30 fps; 720P (1280*720): Max. 30 fps; D1 (720*576): Max. 25 fps
Video Streaming Available	Triple
OSD	Up to 8 OSDs
Privacy Mask	Up to 8 areas
Digital Zoom	Supported
Audio	
Audio Compression	G.711
Two-way audio	Supported
Storage	
Edge Storage	Micro SD, up to 128 GB
Network	
Protocols	L2TP, Ipv4, IGMP, ICMP, ARP, TCP, UDP, DHCP, PPPoE, RTP, RTSP, NTP, FTP, HTTP, SNMP, SIP
Security	User Access Log, Password Protection, HTTPS Encryption, RTSP Authentication, ARP Binding, IP Address Filtering, Video Watermark, IEEE 802.1x
Compatible Integration	ONVIF, API
Pan & Tilt	
Pan Range	360° (endless)
Pan Speed	0.1°/s ~ 240°/s Preset speed: 300°/s
Tilt Range	-15° ~ +90° (auto reverse)
Tilt Speed	0.1° ~ 160°/s Preset speed: 240°/s
Number of Preset	255
Patrol	Up to 16 patrols, up to 32 presets per patrol Note: The total number of patrols and patterns is 16.
Pattern	Up to 16 patterns, with the total recording time not less 15 minutes per pattern
Interface	
Audio I/O	Audio Cable Input: impedance 35 kΩ; amplitude 2 V [p-p] Output: impedance 600 Ω; amplitude 2 V [p-p]
Alarm I/O	1/1
Network	1 RJ45 10M/100M Base-TX Ethernet
General	
Power	24 V AC, 24 V DC Power Consumption: 9 ~ 42W (IR:16W, heater: Max. 24 W)
Dimensions (Ø x H)	Ø227 x 359.4 mm (Ø8.9" x 14.2")
Weight	5.28 kg (11.6 lb)
Working Environment	-40° C ~ +65° C (-40° F ~ 149° F), Humidity ≤ 90% RH(non-condensing)
Ingress Protection	IP66